

Gibson Stainless Steel Threaded Conduit



Stainless Steel threaded conduit polished to a bright finish to further increase corrosion resistance and provide enhanced aesthetic appearance. Provided in 10' lengths with coupling attached and color coded thread protector for the opposite end. Custom sizes are also available.



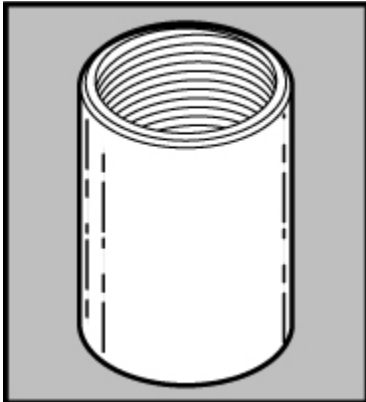
Material: 316SS or 304SS

Standards: ASTM A-321/SA-312

Part Number	Conduit Size (In)	Threads	Inside Dia.	Outside Dia.	Wall Thickness	Length w/o Coupling	Est. Wt./ Foot
CND50	1/2"	14	0.622"	0.84"	0.104"	9' 11 1/4"	0.85
CND75	3/4"	14	0.824"	1.05"	0.107"	9' 11 1/4"	1.13
CND100	1"	11-1/2"	1.049"	1.31"	0.126"	9' 11"	1.68
CND150	1 1/2"	11-1/2"	1.610"	1.90"	0.138"	9' 11"	2.72
CND200	2"	11-1/2"	2.067"	2.37"	0.146"	9' 11"	3.65
CND250	2 1/2"	8	2.469"	2.87"	0.193"	9-10 1/2	*
CND300	3"	8	3.068"	3.5"	0.205"	9-10 1/2	*
CND400	4"	8	4.026"	4.5"	0.225"	9-10 3/4	*

Gibson Stainless Steel Conduit Couplings

Conduit Couplings | [Three Piece Coupling](#) | [Conduit Nipples](#) | [Conduit Elbows](#)



Designed for use with stainless threaded rigid conduit. These Stainless Steel couplings are polished to a bright finish for increased corrosion resistance and improved appearance.

Material: 316SS or 304SS

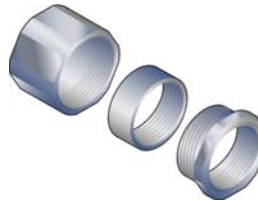
Standards: ASTM A-321/SA-312

Part Number	Size (Inches)	Length	Weight / 100 Pieces
CPL50	1/2"	1.625"	18
CPL75	3/4"	1.650"	26
CPL100	1"	2.000"	28
CPL150	1 1/2"	2.063"	51
CPL200	2"	2.125"	69
CPL250	2 1/2"	3.188"	*
CPL300	3"	3.313"	*
CPL400	4"	3.516"	*

Three Piece Coupling



Designed to join and connect threaded ends of rigid conduit where neither length of conduit can be turned. These Stainless Steel Three piece couplings are polished to a bright finish for increased corrosion resistance and improved appearance.



Material: 316SS

Part Number	Size (Inches)	Material
TPC75	3/4"	316 SS
TPC100	1"	316 SS

Stainless Steel Conduit Nipples



Designed for use with stainless threaded rigid conduit. These nipples are polished to a bright finish for increased corrosion resistance and improved appearance.



Material: 316SS or 304SS

Standards: ASTM A-321/SA-312

Part Number	Size (Inches)	Lengths*
NIP50	1/2"	2", 2-1/2", 3", 3-1/2", 4", 5", 6", 8", 10", 12"
NIP75	3/4"	2", 2-1/2", 3", 3-1/2", 4", 5", 6", 8", 10", 12"
NIP100	1"	2", 2-1/2", 3", 3-1/2", 4", 5", 6", 8", 10", 12"
NIP150	1 1/2"	2", 2-1/2", 3", 3-1/2", 4", 5", 6", 8", 10", 12"
NIP200	2"	2", 2-1/2", 3", 3-1/2", 4", 5", 6", 8", 10", 12"

*Note: Custom lengths available, consult factory.

Standard Radius Elbow

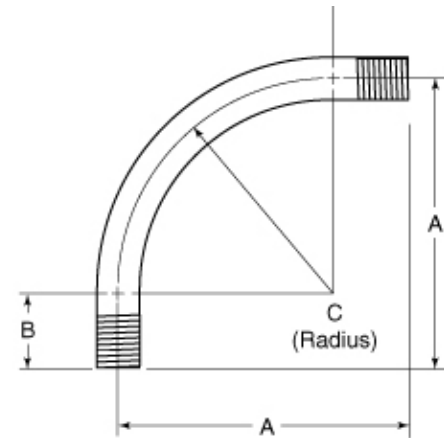


Designed for use with stainless threaded rigid conduit. These stainless steel elbows are polished to a bright finish for increased corrosion resistance and improved appearance.



Material: 316SS or 304SS

Standards: ASTM A-321/SA-312



Part Number	Size (Inches)	Centerline Radius "R"	Offset "A"	Straight End "B"	Material
ELB50	1/2"	4.00	6.50	2.12	316 SS / 304 SS
ELB75	3/4"	4.50	7.25	2.75	316 SS / 304 SS
ELB100	1"	5.75	8.63	2.88	316 SS / 304 SS
ELB150	1 1/2"	8.25	11.63	3.38	316 SS / 304 SS
ELB200	2"	9.50	13.31	3.81	316 SS / 304 SS

Gibson Stainless Steel Conduit Bodies

[LB Conduit Body](#) | [T Conduit Body](#) | [TB Conduit Body](#) | [C Conduit Body](#) | [LL Conduit Body](#) | [LR Conduit Body](#)

Conduit Body

Heavy Duty cast stainless steel conduit bodies provide the ultimate in corrosion protection. Solid stainless construction permits simple, easy installation using ordinary hand tools. The flat back design allows for extra wiring capacity. Conduit bodies are available in C, LB, LL, LR, T and TB configurations in various sizes.

LB Conduit Body



Part Number	Conduit Size (Inches)	Style
7050LB	1/2"	Form 8
7075LB	3/4"	Form 8
7100LB	1"	Form 8
7150LB	1 1/2"	Form 8
7200LB	2"	Form 8



Supplied complete with 316SS cover, neoprene gasket and 316SS screws.

* Consult factory for availability.

**Material: Body - CF8M (316),
Cover and Screws - 316SS,
Gasket - Neoprene**
Standards: ASTM A351, ASTM F593, ASTM A167



T Conduit Body



Part Number	Conduit Size (Inches)	Style
7050T	1/2"	Form 8
7075T	3/4"	Form 8
7100T	1"	Form 8
7150T	1 1/2"	Form 8
7200T	2"	Form 8



Supplied complete with 316SS cover, neoprene gasket and 316SS screws.

**Material: Body - CF8M (316),
Cover and Screws - 316SS,
Gasket - Neoprene**
Standards: ASTM A351, ASTM F593, ASTM A167



TB Conduit Body



Part Number	Conduit Size (Inches)	Style
7050TB*	1/2"	Form 8
7075TB	3/4"	Form 8
7100TB	1"	Form 8
7150TB*	1 1/2"	Form 8
7200TB*	2"	Form 8



Supplied complete with 316SS cover, neoprene gasket and 316SS screws.

* Consult factory for availability.

**Material: Body - CF8M (316),
Cover and Screws - 316SS,
Gasket - Neoprene**
Standards: ASTM A351, ASTM F593, ASTM A167.



C Conduit Body



Part Number	Conduit Size (Inches)	Style
7050C	1/2"	Form 8
7075C	3/4"	Form 8
7100C	1"	Form 8
7150C*	1 1/2"	Form 8
7200C*	2"	Form 8



Supplied complete with 316SS cover, neoprene gasket and 316SS screws.

* Consult factory for availability.

**Material: Body - CF8M (316),
Cover and Screws - 316SS,
Gasket - Neoprene**
Standards: ASTM A351, ASTM F593, ASTM A167



LL Conduit Body



Part Number	Conduit Size (Inches)	Style
7050LL*	1/2"	Form 8
7075LL	3/4"	Form 8
7100LL	1"	Form 8
7150LL*	1 1/2"	Form 8
7200LL*	2"	Form 8



Supplied complete with 316SS cover, neoprene gasket and 316SS screws.

* Consult factory for availability.

**Material: Body - CF8M (316),
Cover and Screws - 316SS,
Gasket - Neoprene
Standards: ASTM A351, ASTM F593, ASTM
A167**



LR Conduit Body



Part Number	Conduit Size (Inches)	Style
7050LR*	1/2"	Form 8
7075LR	3/4"	Form 8
7100LR	1"	Form 8
7150LR*	1 1/2"	Form 8
7200LR*	2"	Form 8



Supplied complete with 316SS cover, neoprene gasket and 316SS screws.

* Consult factory for availability.

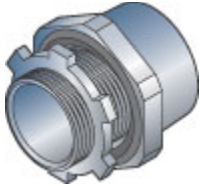
**Material: Body - CF8M (316),
Cover and Screws - 316SS,
Gasket - Neoprene
Standards: ASTM A351, ASTM F593, ASTM
A167**



Gibson Stainless Conduit Hubs

[Hubs](#) | [Grounding Hub](#) | [Locknuts](#) | [Grounding Locknut](#)

Hubs

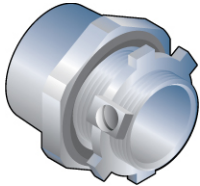


Part Number	Conduit Size (Inches)	Material
7050-HUB	1/2"	CF8M/316SS
7075-HUB	3/4"	CF8M/316SS
7100-HUB	1"	CF8M/316SS
7150-HUB	1 1/2"	CF8M/316SS
7200-HUB	2"	CF8M/316SS

Heavy cast stainless (CF8M) hub designed for use with threaded conduit. Provides means for connecting conduit to various enclosures. Neoprene "O" ring provides watertight seal. Specially designed locknut (316SS) grips firmly for secure installation.

Material: Body-CF8M, Locknut-316SS
Standards: ASTM A351, MPIF Standard 35

Grounding Hub

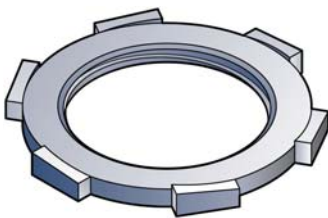


Part Number	Conduit Size (Inches)	Material
7050-G-HUB	1/2"	CF8M/316SS
7075-G-HUB	3/4"	CF8M/316SS
7100-G-HUB	1"	CF8M/316SS
7150-G-HUB	1 1/2"	CF8M/316SS
7200-G-HUB	2"	CF8M/316SS

Heavy cast stainless (CF8M) hub designed for use with threaded conduit. Provides means for connecting conduit to various enclosures. Neoprene "O" ring provides watertight seal. Specially designed locknut (316SS) grips firmly for secure installation.

Material: Body-CF8M, Locknut-316SS
Standards: ASTM A351, MPIF Standard 35

Locknuts

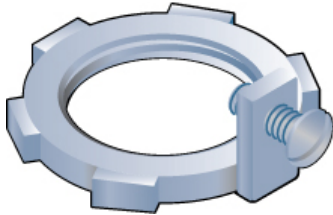


Part Number	Trade Size (Inches)	Threads per Inch	Thickness
8050	1/2"	14	.140
8075	3/4"	14	.157
8100	1"	11 1/2	.180

8200	2"	1 1/2	.225
------	----	-------	------

316 Stainless Steel Locknuts can be used with conduit or NPS threaded pipe. Precision-machined threads allow for easy installation. Heavy stock thickness and specially designed tabs tighten securely and will not easily loosen even in the most severe applications.

Grounding Locknut



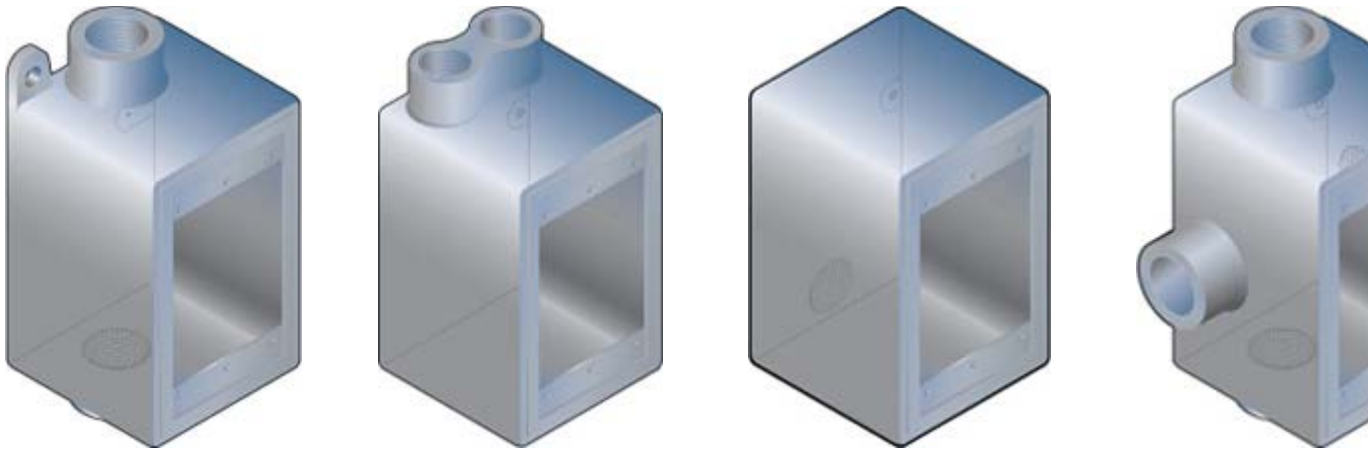
Part Number	Conduit Size (Inches)
80500-G	1/2"
8075-G	3/4"
8100-G	1"
8150-G	1 1/2"
8200-G	2"

316 Stainless Steel Locknuts can be used with conduit or NPS threaded pipe. Precision-machined threads allow for easy installation. Heavy stock thickness and specially designed tabs tighten securely and will not easily loosen even in the most severe applications.

Material: 316SS

Gibson Stainless Steel Device Box

Device Box



Part Number	Conduit Size (In)	Style	Material
FDC 75	3/4 in	Form 8	CF8M / 316SS
FDS 75	3/4 in	Form 8	CF8M / 316SS
FDA 75	3/4 in	Form 8	CF8M / 316SS
FDX 75	3/4 in	Form 8	CF8M / 316SS

Used for wiring devices, such as switches and receptacles. These device boxes are Cast 316SS (CF8M) with 3/4" NPT threads. Internal grounding screw standard, mounting feet standard.

Blank Cover

Available in cast and formed



NOTE: Wet locations when used with Gasket.

Switch Cover



NOTE: Dry location only.

Receptacle Cover



NOTE: Dry location only.

Gasket

Part Number	Description	Material
-------------	-------------	----------



7000-BC	Blank Cast Cover	CF8M / 316SS
7000-BF	Blank Formed Cover	316SS
7000-SF	Switch Formed Cover	316SS
7000-RF	Receptacle Formed Cover	316SS
NOTE: Supplied with molded gasket and 316SS screws.		

Gibson Stainless Steel Clamps

Right Angle Clamps | Parallel Clamps | 2000 Series Beam Clamp | 2100 Series Beam Clamp | Junior Top Beam Clamp

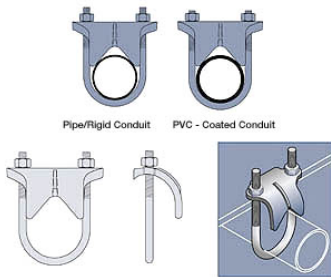
Right Angle Clamp



Designed to fit pipe/rigid conduit as well as PVC-coated rigid conduit, right angle clamps firmly fix pipe to the flange of a structural member without drilling holes. Cast in CF8M(316) with 316SS U-bolt and nuts, these clamps are designed for both strength and corrosion resistance. Available in all pipe/conduit sizes 1/2" through 4".

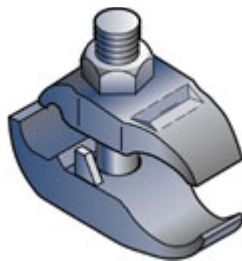
Material: Body - CF8M(316), Hardware - 316SS

Standards: ASTM A351, ASTM F593



Part Number	Pipe/Rigid Conduit (Inches)	Weight per 100 (lbs)
1050	1/2"	34
1075	3/4"	36
1100	1"	44
1125	1 1/4"	51
1150	1 1/2"	61
1200	2"	97
1250	2 1/2"	125
1300	3"	148
1350	3 1/2"	163
1400	4"	178

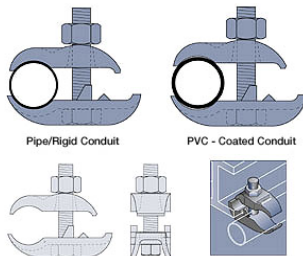
Parallel Clamp



Parallel Clamps are used to run pipe or conduit along the flange of I-beams or channels simply and easily without drilling holes. The 100% stainless (CF8M & 316SS) design offers superb corrosion resistance and strength. These clamps will fit both rigid conduit and PVC-Coated rigid conduit and are available in 3/4" and 1" trade sizes.

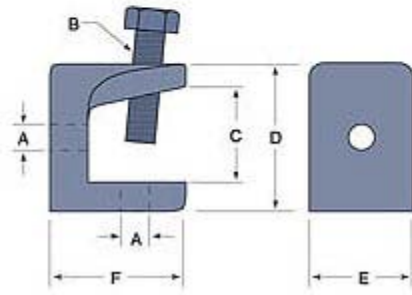
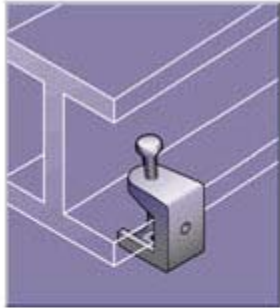
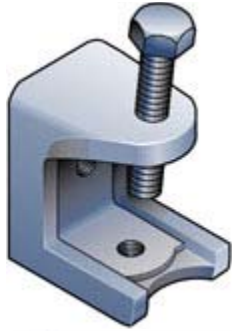
Material: Body - CF8M(316), Hardware - 316SS

Standards: ASTM A351, ASTM F593



Part Number	Pipe/Rigid Conduit (Inches)	Weight per 100 (lbs)
4075	3/4"	58
4100	1"	60

2000 Series Beam Clamp



This heavy-duty "electrician's" style beam clamp is cast in stainless for superior strength and corrosion resistance. Designed for use on I-beams, channels, and other structural members, this beam clamp provides firm fixturing without drilling holes. Attachment holes in the back and bottom permit a wide variety of applications. Available in three sizes.

Part Number	Weight/100 (lbs)	Load Rating (lbs)*
2001	25	150
2003	80	750
2004	148	1,100

*Based on upright installation, as shown from the bottom attachment hole.

Part Number	Dimensions (Inches)					
	A	B	C	D	E	F
2001	1/4" - 20	5/16" - 18	7/8"	1 3/8"	1"	1 5/16"
2003	3/8" - 16	1/2" - 13	1 3/16"	1 7/8"	1 7/8"	2"
2004	1/2" - 13	5/8" - 11	1 3/16"	2 3/16"	2 1/8"	2 1/4"

Material:
Body - CF8M(316), Hardware - 316SS

Standards:
ASTM A351, ASTM F593

2100 Series Beam Clamp



This heavy-duty formed beam clamp is designed primarily as a rod support. In-line attachment hole provides true, straight fixturing. Produced in 316L, this clamp has superb corrosion resistance and is available in two sizes.

Part Number	Weight/100 (lbs)	Load Rating (lbs)*
2103	45	400
2104	55	600

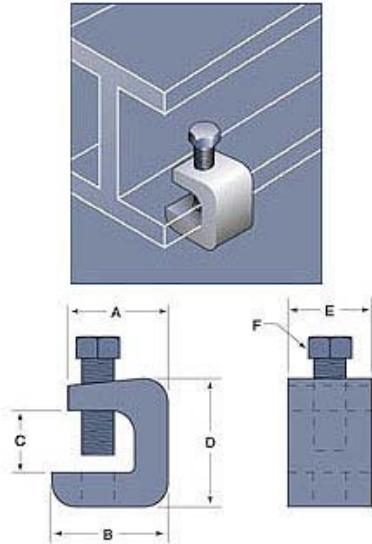
*Based on upright installation, as shown from the bottom attachment hole.

Part Number	Dimensions (Inches)					
	A	B	C	D	E	F
2103	1 1/2"	1 3/4"	7/8"	1 7/8"	7/8"	3/8" - 16

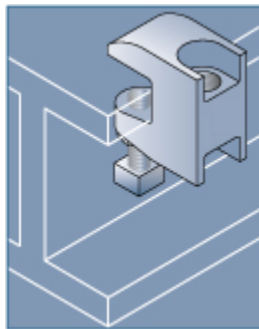
2104	1 1/2"	1 3/4"	7/8"	1 7/8"	1"	1/2" - 13
------	--------	--------	------	--------	----	-----------

Material: Body - CF8M(316), Hardware - 316SS

Standards: ASTM A351, ASTM F593



Junior Top Beam Clamp



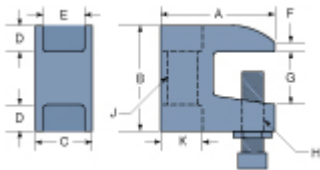
This heavy-duty formed beam clamp is designed primarily as a rod support. In-line attachment hole provides true, straight fixturing. Produced in 316L, this clamp has superb corrosion resistance and is available in two sizes.

Part Number	Weight/100 (lbs)	Load Rating (lbs)*
JTB375	32	750
JTB500	32	750

Part Number	Dimensions (Inches)								
	A	B	C	D	E	F	G	H	J
JTB375	1.625	1.500	0.812	0.375	0.592	0.125	0.750	3/8-16	3/8-16
JTB500	1.625	1.500	0.812	0.375	0.592	0.125	0.750	3/8-16	1/2-13

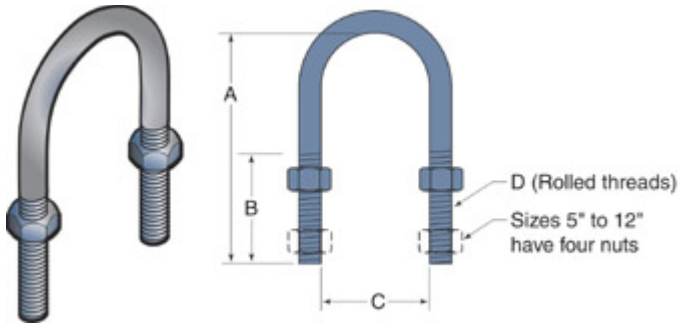
Material: Body - CF8M(316), Hardware - 316SS

Standards: ASTM A351, ASTM F593

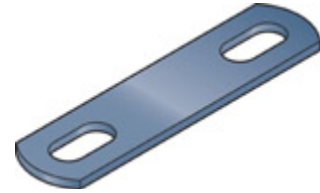


Gibson Stainless Steel U-Bolts and U-Bolt Plates

U-Bolt



U-Bolt Plates

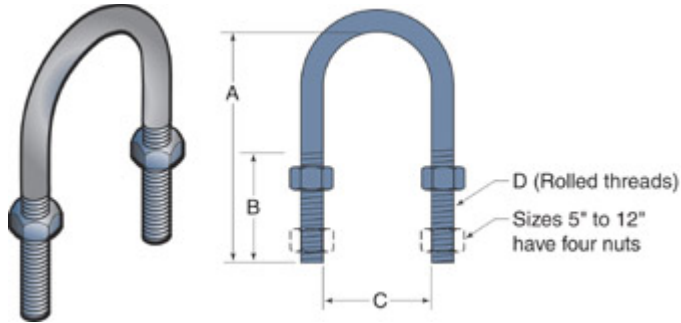


Material: 316SS
Standards: ASTM F593

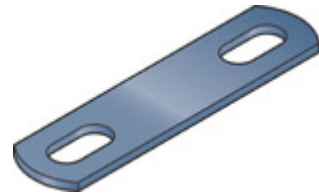
Heavy Duty 316SS U-bolts with rolled threads for extra strength. They are cleaned and polished to provide a bright finish and increased corrosion resistance. Sizes 1/2" through 4" come with two nuts and will also fit PVC coated rigid conduit. The sizes 5" through 20" come with four nuts.

U-Bolt Part Number	Pipe/Rigid Conduit (Inches)	Weight per 100 (lbs.)	Load Rating (lbs.)	Dimensions (Inches)			D Size & Pitch	Mounting Plate Part No.
				A	B	C		
0050	1/2"	13	950	2.41"	1.50"	0.94"	5/16" - 18	UBP0050
0075	3/4"	14	950	2.73"	1.50"	1.15"	5/16" - 18	UBP0075
0100	1"	15	950	3.04"	1.50"	1.41"	5/16" - 18	UBP0100
0125	1 1/4"	16	950	3.16"	1.50"	1.76"	5/16" - 18	UBP0125
0150	1 1/2"	18	950	3.48"	1.50"	2.00"	5/16" - 18	UBP0150
0200	2"	30	1250	4.30"	1.75"	2.49"	3/8" - 16	UBP0200
0250	2 1/2"	34	1250	4.80"	1.75"	2.99"	3/8" - 16	UBP0250
0300	3"	38	1250	5.36"	1.75"	3.61"	3/8" - 16	UBP0300
0350	3 1/2"	40	1250	5.80"	1.75"	4.11"	3/8" - 16	UBP0350
0400	4"	45	1250	6.50"	1.75"	4.61"	3/8" - 16	UBP0400
0500	5"	85	2250	7.75"	3.00"	5.63"	1/2" - 13	UBP0500
0600	6"	172	3550	9.50"	3.50"	6.75"	5/8" - 11	UBP0600
0800	8"	210	3550	11.50"	3.75"	8.75"	5/8" - 11	UBP0800
01000	10"	455	5250	13.75"	4.00"	10.88"	3/4" - 10	UBP01000
01200	12"	680	7500	16.00"	4.25"	12.88"	7/8" - 9	UBP01200
01400	14"	690	7500	17.32"	4.25"	14.12"	7/8" - 9	UBP01400
01600	16"	760	7500	19.32"	4.25"	16.12"	7/8" - 9	UBP01600
01800	18"	1150	9900	21.69"	4.75"	18.12"	1" - 8	UBP01800
02000	20"	1250	9900	23.69"	4.75"	20.12"	1" - 8	UBP02000

U-Bolt "Figure 137" Style



U-Bolt Plates



Material: 316SS
Standards: ASTM F593

These U-bolts are manufactured in the thread sizes preferred for securing mechanical tubing and process piping. Available in pipe sizes 1/2 through 20 inch and supplied complete with hex nuts. Sizes 1/2 through 4 inch are supplied with 1 nut per leg. Mounting plates are also available to provide more secure attachment.

U-Bolt Part Number	Pipe Size (Inches)	Load Rating (lbs.)	Thread Size	Dimensions (Inches)			Mounting Plate Part No.
				A	B	C	
0050-137	1/2"	485	1/4" - 20	3 -7/32"	2 -1/8"	15/16"	P50-137
0075-137	3/4"	485	1/4" - 20	3 -5/16"	2 -1/8"	1 -1/8"	P75-137
0100-137	1"	485	1/4" - 20	3 -7/16"	2 -1/8"	1 -3/8"	P100-137
0125-137	1 1/4"	1220	3/8" - 16	3 -23/32"	2 -1/8"	1 -11/16"	P125-137
0150-137	1 1/2"	1220	3/8" - 16	4"	2 -1/2"	2"	P150-137
0200-137	2"	1220	3/8" - 16	4 -15/32"	2 -1/2"	2 -7/16"	P200-137
0250-137	2 1/2"	2260	1/2" - 13	5 -7/32"	3"	2 -15/16"	P250-137
0300-137	3"	2260	1/2" - 13	5 -25/32"	3"	3 -9/16"	P300-137
0350-137	3 1/2"	2260	1/2" - 13	6 -9/32"	3"	4 -1/16"	P350-137
0400-137	4"	2260	1/2" - 13	6 -25/32"	3"	4 -9/16"	P400-137

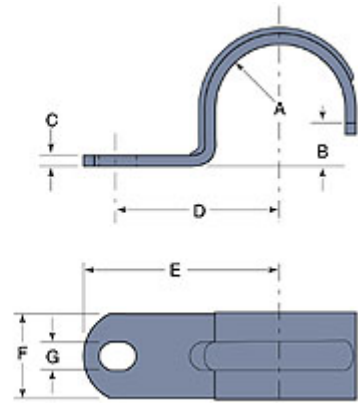
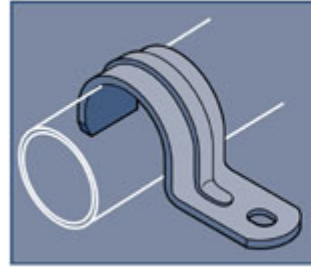
Gibson Stainless Steel Straps and Hangers

One-Hole Strap | Two-Hole Strap | 2 Piece Conduit / Pipe Clamp | Conduit Hangers

One-Hole Strap



Heavy duty straps made with 316SS fit pipe or rigid conduit. They are cleaned and polished to provide a bright finish and increased corrosion resistance.

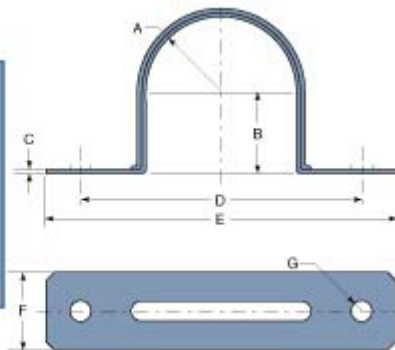


Part Number	Pipe/Rigid Conduit (Inches)	Weight per 100 (lbs)	Dimensions (Inches)						
			A	B	C	D	E	F	G
3050	1/2"	4	0.420"	0.390"	0.075"	0.937"	1.375"	0.625"	0.250"
3075	3/4"	5	0.525"	0.500"	0.090"	1.031"	1.562"	0.750"	0.250"
3100	1"	7	0.655"	0.620"	0.090"	1.125"	1.812"	0.875"	0.312"
3125	1 1/4"	10	0.830"	0.800"	0.100"	1.500"	2.000"	0.875"	0.375"
3150	1 1/2"	14	0.950"	0.920"	0.125"	1.875"	2.500"	1.000"	0.437"
3200	2"	20	1.185"	1.150"	0.125"	2.125"	2.750"	1.125"	0.562"
3250	2 1/2"	42	1.437"	1.400"	0.150"	2.562"	3.312"	1.250"	0.562"
3300	3"	51	1.750"	1.700"	0.150"	2.875"	3.625"	1.250"	0.562"
3350	3 1/2"	70	2.000"	1.950"	0.180"	3.250"	4.000"	1.250"	0.562"
3400	4"	78	2.250"	2.200"	0.180"	3.500"	4.250"	1.250"	0.562"

Two-Hole Strap

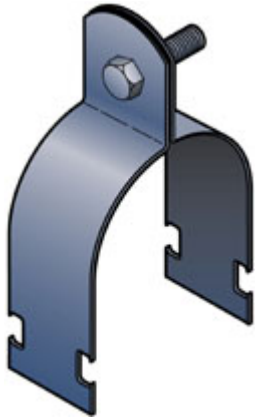


Straps made with 316SS fit pipe or rigid conduit. They are cleaned and polished to provide a bright finish and increased corrosion resistance.



Part Number	Pipe/Rigid Conduit (Inches)	Weight per 100 (lbs)	Dimensions (Inches)						
			A	B	C	D	E	F	G
3038-2	3/8"	2	.35	.32	.024-.030	1.56	2.00	.50	.188
3050-2	1/2"	2	.42	.39	.024-.030	1.78	2.25	.56	.188
3075-2	3/4"	3	.52	.50	.024-.030	2.18	2.62	.62	.188
3100-2	1"	4	.65	.62	.033-.038	2.53	3.20	.75	.250
3125-2	1 1/4"	6	.83	.80	.033-.038	3.16	4.00	.87	.250
3150-2	1 1/2"	9	.95	.92	.043-.050	3.37	4.20	.93	.250
3200-2	2"	12	1.18	1.15	.043-.050	4.25	5.12	1.00	.375
3250-2	2 1/2"	16	1.43	1.40	.053-.060	4.95	5.87	1.00	.375
3300-2	3"	20	1.75	1.70	.053-.060	5.50	6.50	1.00	.375
3350-2	3 1/2"	29	2.00	1.95	.068-.075	6.18	7.12	1.00	.437
3400-2	4"	32	2.25	2.20	.068-.075	6.81	7.75	1.00	.437

Stainless Steel 2 Piece Conduit / Pipe Clamp



Designed for use in standard 1 - 5/8" channels. Supplied with stainless steel screw and nut. Sized to fit electrical conduit or schedule 40 pipe. Can also be used with coated conduit. When used with coated conduit, order same size clamp as conduit. Available in all pipe sizes 1/2" through 8".

Standards: ASTM A167, F593

Material: 316SS

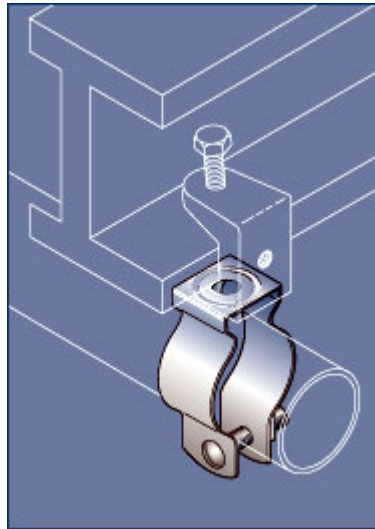
Part Number	Dimensions (Inches)	Design Load/Lbs.
5050	1/2"	400
5075	3/4"	600
5100	1"	600
5125	1 1/4"	600
5150	1 1/2"	800
5200	2"	800
5250	2 1/2"	800
5300	3"	800
5350	3 1/2"	1000
5400	4"	1000
5500	5"	1000
5600	6"	1000
5800	8"	1000

Stainless Steel Conduit Hanger



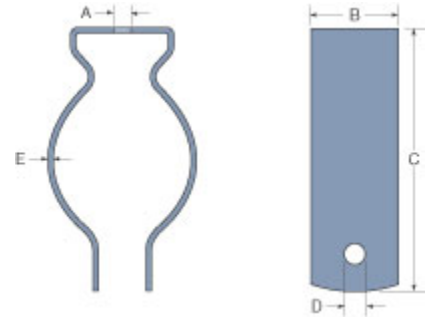
**Standards: ASTM
A167**

Material: 316SS



Conduit hangers are designed for use with rigid conduit and standard pipe sizes. These hangers provide for a fast and easy installation. Stamped in heavy gauge 316 SS, this product is designed for both strength and corrosion resistance.

Available in all pipe/conduit sizes 1/2" through 2".

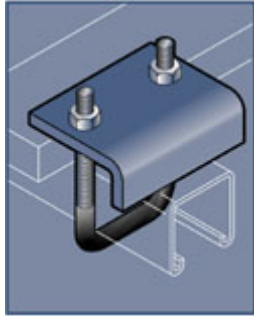


Part Number	Pipe/Rigid Conduit (Inches)	Weight per 100 (lbs)	Dimensions (Inches)				
			A	B	C	D	E
6050	1/2"	7	0.255"	0.75"	1.90"	0.275"	0.050"
6075	3/4"	9	0.255"	0.875"	2.10"	0.275"	0.050"
6100	1"	10	0.255"	0.875"	2.40"	0.275"	0.060"
6125	1 1/4"	11	0.255"	0.875"	2.80"	0.275"	0.060"
6150	1 1/2"	18	0.320"	1.00"	3.25"	0.275"	0.060"
6200	2"	26	0.320"	1.25"	3.75"	0.275"	0.060"

Gibson Stainless Steel Strut Accessories

[Right Angle Beam Clamp](#) |
 [Square U-bolt](#) |
 [Channel Nut](#) |
 [2 Piece Pipe/Conduit Clamp](#) |
 [Washers](#) |
 [Angles](#)

Right Angle Beam Clamp

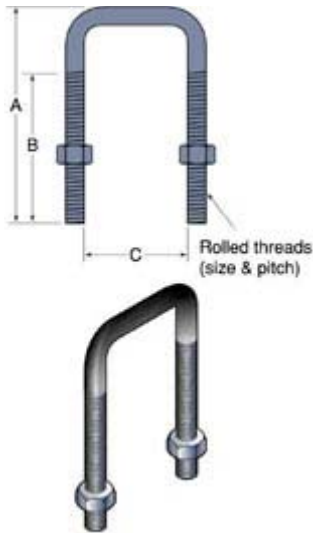


Part No. 5990

For 1 5/8" Strut
Load Rating - 1000 lb.

Supplied complete with saddle and U-bolt with one nut per leg.

Square U-bolt

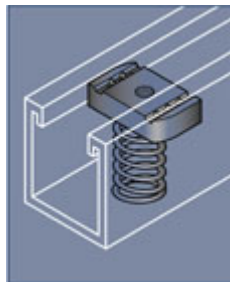


Supplied with one nut per leg. For use with 1 5/8 x 1 5/8 Strut.

Material: 316SS

Part Number	Dimensions (Inches)			Size & Pitch
	A	B	C	
5991	3.750"	2.50"	1.687"	3/8 -16

Channel Nut



Designed for use in standard 1 5/8" channels, these strut accessories and fittings are 100% stainless steel.

Material: Channel Nut - 316SS, Spring - 302SS

Standards: MPIF Standard 35, ASTM A313

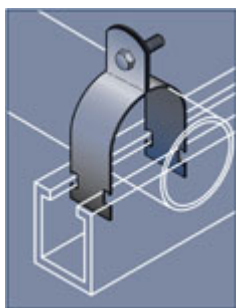
Part Number	Part Number without Spring	Thread Size
5911	5901	1/4 - 20
5912	5902	5/16 - 18
5913	5903	3/8 - 16
5914	5904	1/2 - 13

5916

5906

3/4 - 10

2 Piece Pipe/Conduit Clamp



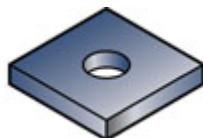
Material: 316SS

Standards: ASTM A167, F593

The 2 piece pipe/conduit clamp includes the necessary hardware for assembly.

Part Number	Pipe/Rigid Conduit (Inches)
5050	1/2"
5075	3/4"
5100	1"
5125	1 1/4"
5150	1 1/2"
5200	2"
5250	2 1/2"
5300	3"
5350	3 1/2"
5400	4"
5500	5"
5600	6"
5800	8"

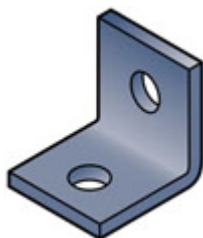
Square Washer



Strut fittings are made from 1/4" thick by 1 5/8" wide 316SS stock.

Part Number	Hole Diameter
5970 - 1/4	5/16" (for use with 1/4" bolt)
5970 - 3/8	7/16" (for use with 3/8" bolt)
5970 - 1/2	9/16" (for use with 1/2" bolt)
5970 - 5/8	11/16" (for use with 5/8" bolt)

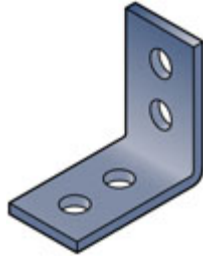
Angles



2 Hole Angle - Part Number: 5971

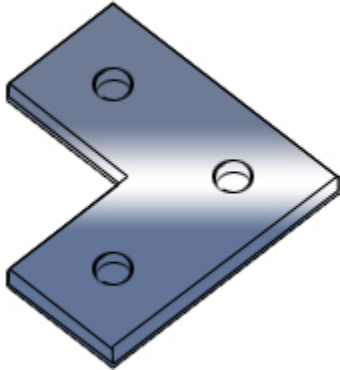
Size (Inches): 1 7/8 x 2 1/8

Hole Diameter: 9/16 in.



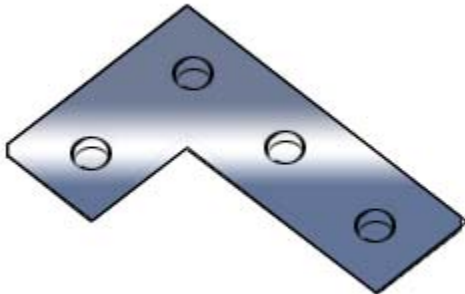
4 Hole Angle - Part Number: 5973

Size (Inches): $3 \frac{7}{8} \times 3 \frac{15}{16}$
Hole Diameter: $\frac{9}{16}$ in.



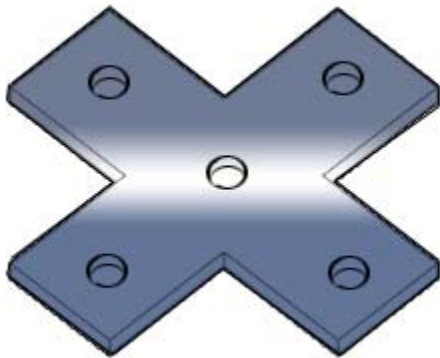
3 Hole Flat Angle - Part Number: 5963

Size (Inches): $3 \frac{1}{2} \times 3 \frac{1}{2} \times 1 \frac{5}{8}$ wide
Hole Diameter: $\frac{9}{16}$ in.



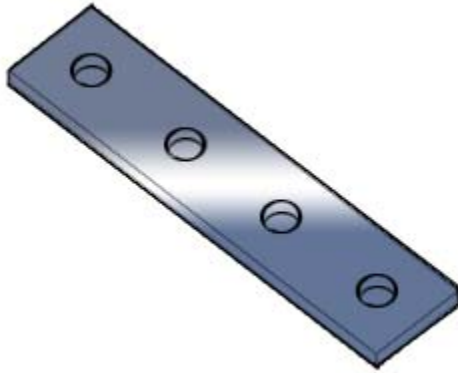
4 Hole Flat Angle - Part Number: 5964

Size (Inches): $5 \frac{3}{8} \times 3 \frac{1}{2} \times 1 \frac{5}{8}$ wide
Hole Diameter: $\frac{9}{16}$ in.



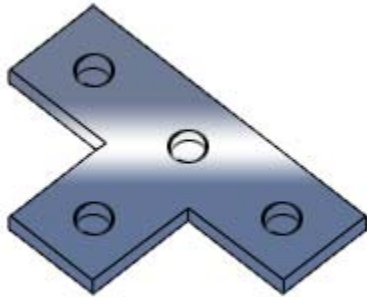
Cross Plate - Part Number: 5965

Size (Inches): $5 \frac{3}{8} \times 5 \frac{3}{8} \times 1 \frac{5}{8}$ wide
Hole Diameter: $\frac{9}{16}$ in.



Splice Plate - Part Number: 5969

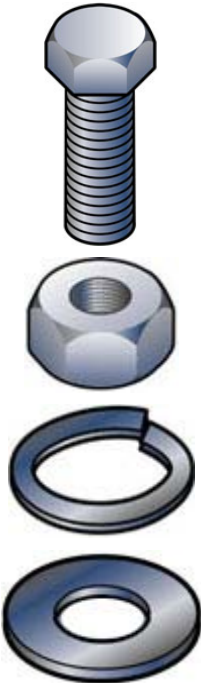
Size (Inches): 7 1/4 x 1 5/8 wide
Hole Diameter: 9/16 in.



Tee Plate - Part Number: 5966

Size (Inches): 5 3/8 x 3 1/2 x 1 5/8 wide
Hole Diameter: 9/16 in.

Gibson Stainless Steel Hardware



Hex Head Cap Screw

Part Number	Size	Material
9905	Various Diam. & Lengths	316SS

Hex Nut

Part Number	Size	Material
9901	Many sizes available	316SS

Lock Washer

Part Number	Size	Material
9921	Many sizes available	316SS

Flat Washer

Part Number	Size	Material
9920	Many sizes available	316SS

Gibson Stainless Steel Threaded Rods

Threaded Rod



Part Number	Thread Size (inches)	Threads Per Inch	Design Load (lbs)	Length (inches)	Material
9701	1/4"	20	150	72	316 SS
9703	3/8"	16	610	72	316 SS
9704	1/2"	13	1,130	72	316 SS

Rod Coupling



Part Number	Thread Size (inches)	Threads Per Inch	Design Load (lbs)	Material
9711	1/4"	20	240	316 SS
9713	3/8"	16	610	316 SS
9714	1/2"	13	1,130	316 SS

Grounding Rod



Stainless rod used for grounding. Provides an electrical connection to the ground to carry current away from an electrical surge. Available in 316 stainless and 304 stainless.

Part Number	Thread Size (inches)	Weight (100 lbs.)	Length (ft.)
GR128	1/2"	6	8
GR1210	1/2"	7	10
GR588	5/8"	8	8
GR5810	5/8"	11	10
GR348	3/4"	12	8
GR3410	3/4"	15	10
GR18	1"	22	8
GR110	1"	27	10